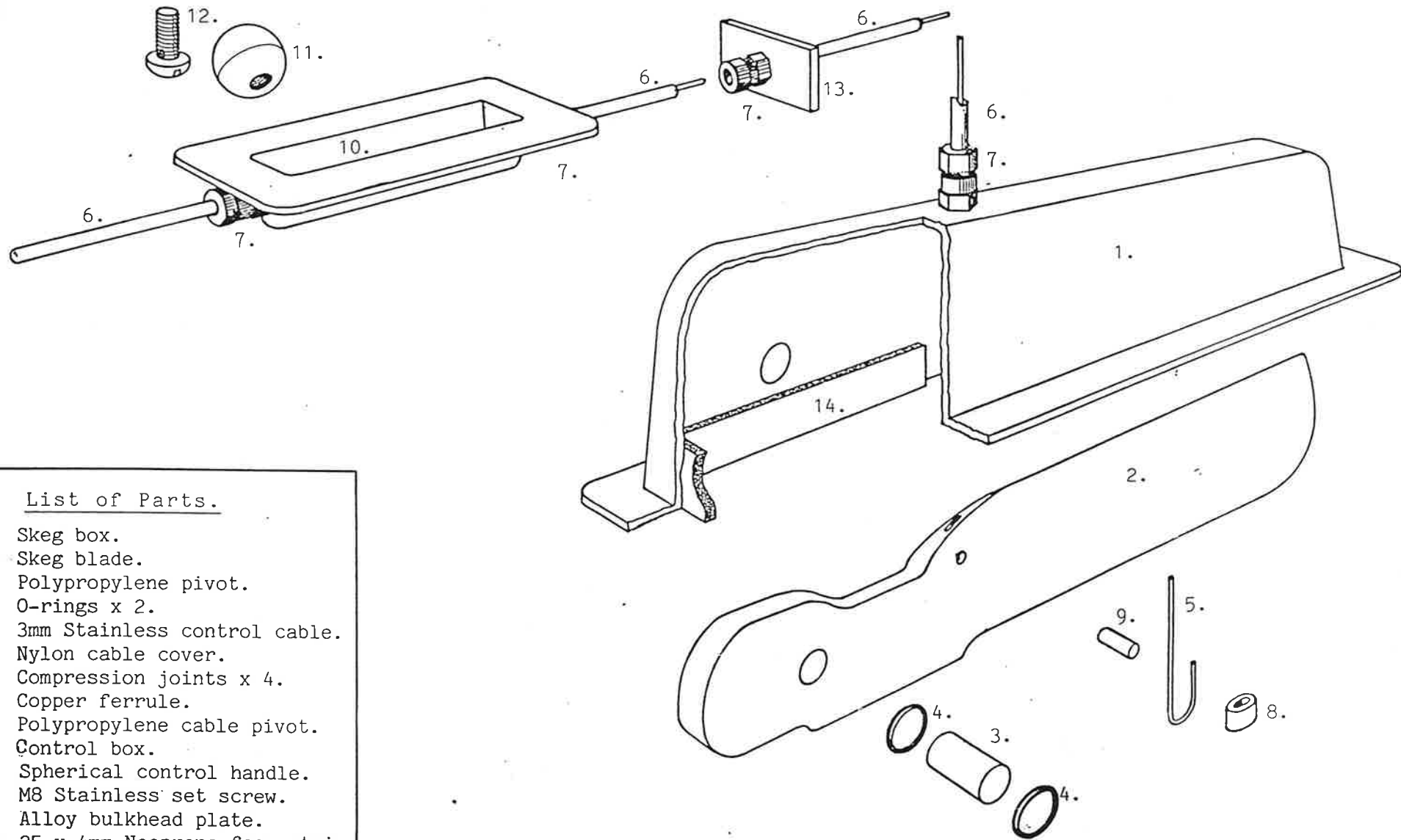


THE VCP RETRACTABLE SKEG.



List of Parts.

1. Skeg box.
2. Skeg blade.
3. Polypropylene pivot.
4. O-rings x 2.
5. 3mm Stainless control cable.
6. Nylon cable cover.
7. Compression joints x 4.
8. Copper ferrule.
9. Polypropylene cable pivot.
10. Control box.
11. Spherical control handle.
12. M8 Stainless set screw.
13. Alloy bulkhead plate.
14. 25 x 4mm Neoprene foam strip.